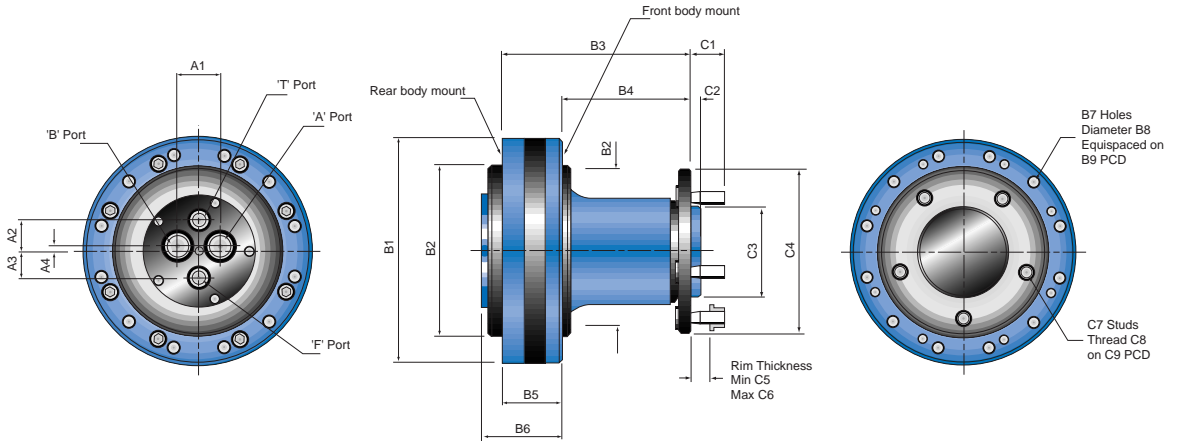


WHEEL DRAWINGS

Before finalising your installation please ask for a copy of the latest issue drawing.

WHEEL MOTORS 150 - 560 CC/REV



WHEEL MOTORS 780 - 1120 CC/REV

