

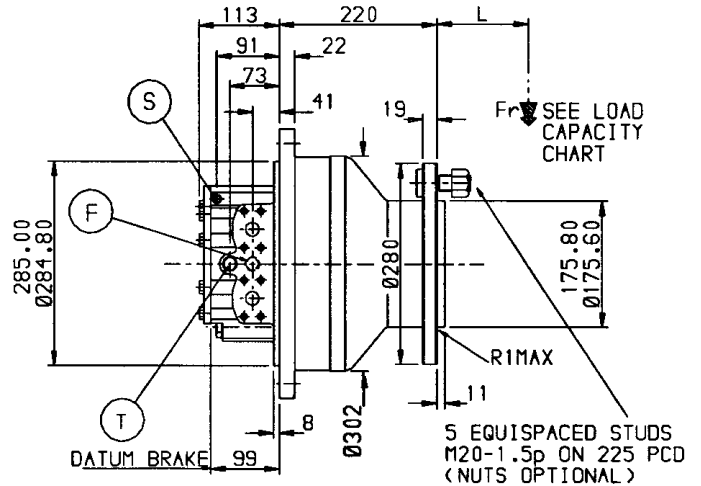
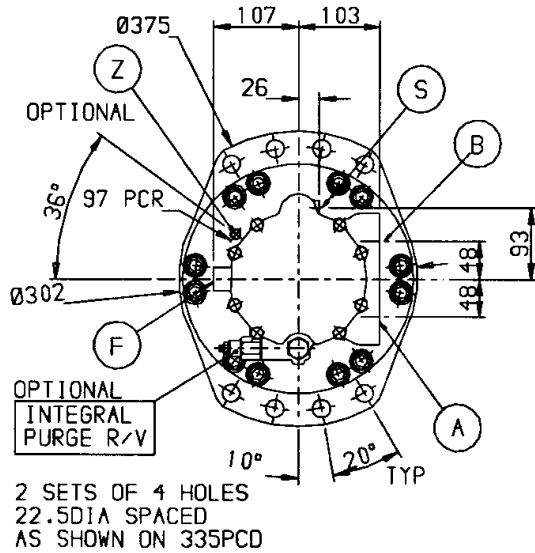
TECHNICAL DATA SHEETS

DIMENSIONS

RotaryPower **XK12** Wheel Motor

| | | | | | | |
|-----------|-----------|---|-----|----------|----------|----------|
| 1,2 | 3,4 | 5 | 6,7 | 8 | 9 | 10 |
| XK | 12 | - | -- | E | N | 1 |

STANDARD DUTY



| | | | | | | |
|-----------|-----------|---|-----|----------|----------|----------|
| 1,2 | 3,4 | 5 | 6,7 | 8 | 9 | 10 |
| XK | 12 | - | -- | E | N | 2 |

HEAVY DUTY

