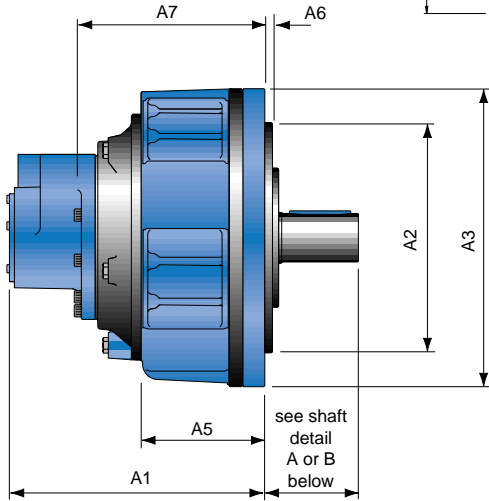


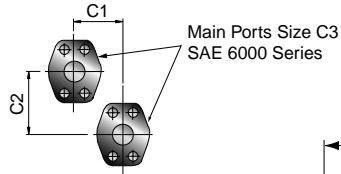
INSTALLATION DRAWING DATA

Before finalising your installation please ask for a copy of the latest issue drawing.

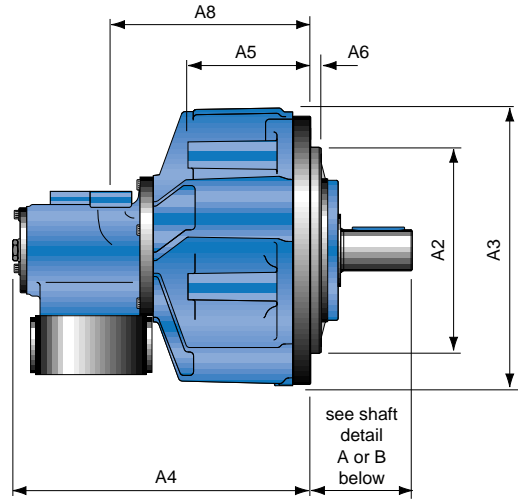
ROTATING SHAFT C1 & C1 HIGH POWER MOTORS



Main Port Detail
C Motors Only

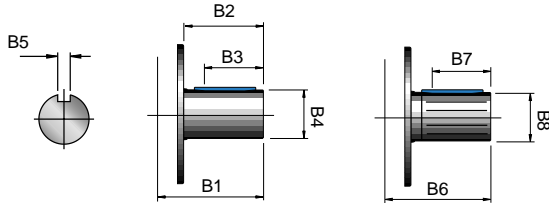


ROTATING SHAFT C2 MOTORS

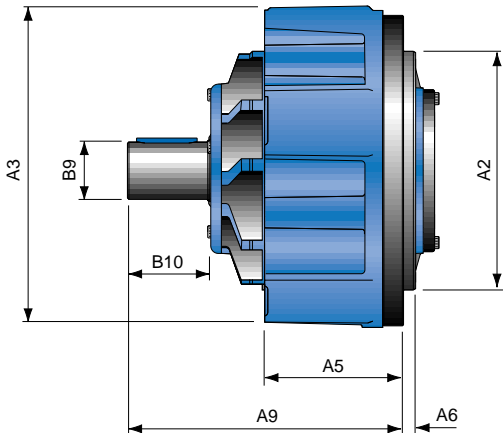


Standard Keyed
Shaft Detail A

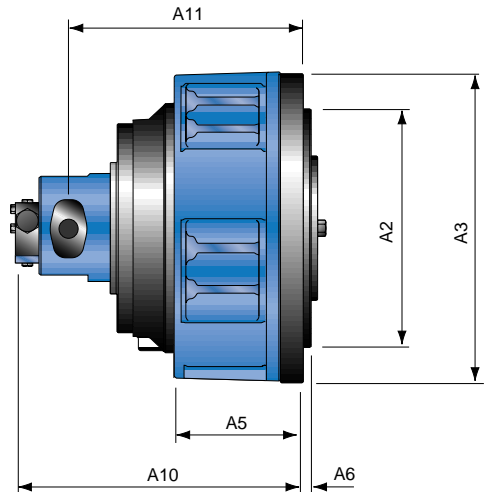
Standard Splined
Shaft Detail B



ROTATING CASE B1 MOTORS



ROTATING CASE E1 & E1 HIGH POWER MOTORS



INSTALLATION DRAWING DATA

		MOTOR CAPACITY							
		200	500	750	1340	2000	3500	7000	7400
		290	650	850	1600	2500	4350	8700	8800
		350	720	1000	2200	3200	4800		10500
		480		1200					
DIMENSIONS	A1	315	335	394	449	507.5	602	761	601
	A2	250 nom.	280	315	400	450	560	560	790
	A3	ø345	ø370	ø436	ø545	ø583	ø695	ø700	ø900
	A4	-	-	464	557	-	715	807	-
	A5	139	150	187.5	215	242.0	86	100	102
	A6	12	16	16	19	15	27	27	13
	A7	236.5	259.5	308.5	345	386.0	462	690	474
	A8	-	-	306	345	-	513	650	-
	A9	-	-	362	-	-	-	814	-
	A10	296	-	474	534	575	-	-	-
	A11	256	-	418	478	490	-	-	-
	B1	122	154	156	181	184	225	225	305
	B2	82	105	105	130	150	165	165	220
	B3	69	74	92	120	135	145	145	208
	B4	ø50	ø60	ø63	ø80	ø95	ø110	ø110	ø160
	B5	16	18	18	22	25	28	28	40
	B6	122	154	156	181	184	225	223	305
	B7	63	85	80	105	100	140	130	180
	B8	19t 10/20	18t 8/16	19t 8/16	24t 8/16	28t 8/16	25t 6/12	26t 6/12	41t 6/12
	B9	-	-	76	-	-	-	120	-
B10	-	-	108	-	-	-	132	-	
C1	0	0	0	0	54	0	54	0	
C2	84	84	114	140	170	140	170	180	
C3	1"	1"	1-1/4"	1-1/2"	2"	2"	2"	2"	

Dimensions shown above are approximate and subject to change without notice. Before finalising your installation, Please ask for a copy of the latest issue drawing.