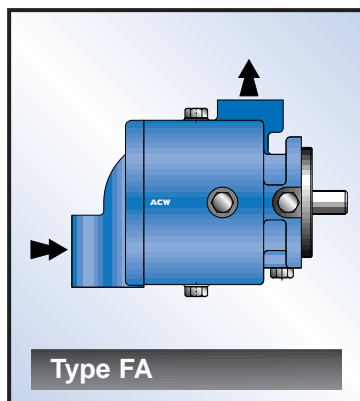
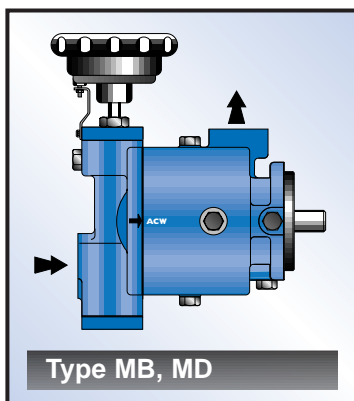
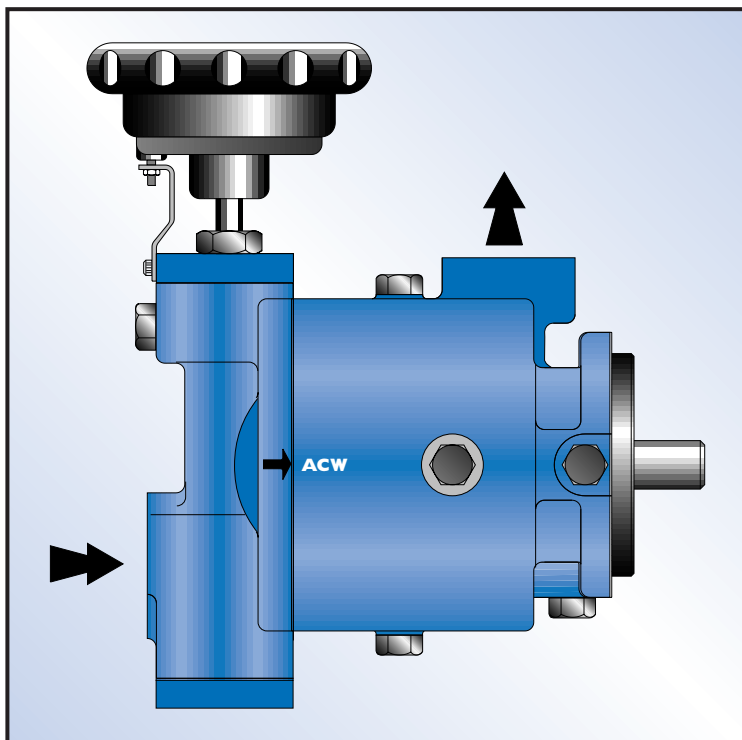


**C RANGE METERING PUMPS FOR P.U. FOAM PRODUCTION**



**FOREWORD**

ROTARY POWER have supplied pumps to the Urethane Foam Industry since 1975. This catalogue sets out the most commonly required information for successful application and reliable use of C range pumps. Further advice and assistance is readily available from our engineers.

**CONTENTS**

	Page
Technical Data	2
Performance Data	3
Installation Data - MD	4
Installation Data - FA	5
Pump Application	6
Pump Application & Installation	7
Pump Commissioning	8
Operation Maintenance & Service	8
Ordering Code	9

TYPE	DESCRIPTION
FA	Fixed displacement.
MB	Variable displacement manual, fine adjustment with plain handwheel.
MD	Variable displacement manual, fine adjustment with dial indicator handwheel.
ME	Variable displacement manual, fine adjustment, spindle only.