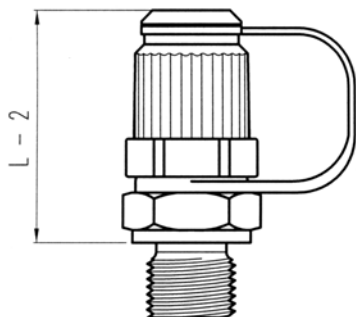
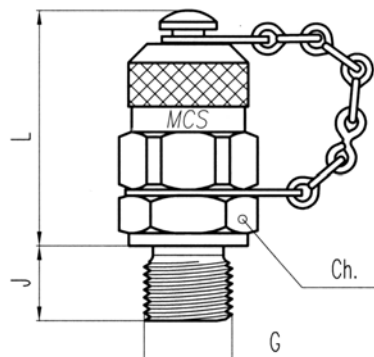


## Minipresa di pressione avvitabile - serie 620.01 Threaded check coupling - series 620.01

Minipresa con cappuccio di plastica  
Check-coupling with plastic cap



Minipresa con cappuccio di metallo  
Check-coupling with metal cap



Filettatura Thread G	Tipo di tenuta Sealing type	p max.	Quote Dimensions			Con cappuccio di plastica	Con cappuccio di metallo
			L mm	Ch. mm	J±0,2 mm	With plastic cap	With metal cap
M10 x 1	FORM A	400 bar	38	17	8	620.01.010.50	620.01.010.51
ISO228 G 1/4"	FORM A	400 bar	38	19	12	620.01.204.50	620.01.204.51
M12 x 1.5	FORM B	400 bar	38	17	12	620.01.012.10	620.01.012.11
ISO228 G 1/8"	FORM B	400 bar	38	17	8	620.01.202.10	620.01.202.11
ISO228 G 1/4"	FORM B	400 bar	38	19	12	620.01.204.10	620.01.204.11
UNI 7707 M10x1	FORM C	400 bar	38	17	8	620.01.010.30	620.01.010.31
ISO 7/1 R 1/8"	FORM C	400 bar	36	17	8	620.01.202.30	620.01.202.31
ISO 7/1 R 1/4"	FORM C	630 bar	36	17	12	620.01.204.30	620.01.204.31
ISO 7/1 R 3/8"	FORM C	630 bar	36	22	12	620.01.206.30	620.01.206.31
1/8"-27 NPTF	FORM C	400 bar	36	17	9.5	620.01.302.30	620.01.302.31
1/4"-18 NPTF	FORM C	630 bar	36	17	14	620.01.304.30	620.01.304.31
3/8"-18 NPTF	FORM C	630 bar	36	22	14.2	620.01.306.30	620.01.306.31
M10 x 1	FORM E	400 bar	38	17	8	620.01.010.20	620.01.010.21
M12 x 1.5	FORM E	630 bar	38	17	12	620.01.012.20	620.01.012.21
M14 x 1.5	FORM E	630 bar	38	19	12	620.01.014.20	620.01.014.21
M16 x 1.5	FORM E	630 bar	38	22	12	620.01.016.20	620.01.016.21
ISO228 G 1/8"	FORM E	400 bar	38	17	8	620.01.202.20	620.01.202.21
ISO228 G 1/4"	FORM E	630 bar	38	19	12	620.01.204.20	620.01.204.21
ISO228 G 3/8"	FORM E	630 bar	38	22	12	620.01.206.20	620.01.206.21
M8 x 1	FORM F	250 bar	38	17	8.5	620.01.008.00	620.01.008.01
M10 x 1	FORM F	630 bar	38	17	9.5	620.01.010.00	620.01.010.01
M14 x 1.5	FORM F	630 bar	38	19	12	620.01.014.00	620.01.014.01
7/16"-20 UNF	FORM F	630 bar	38	17	11	620.01.404.00	620.01.404.01
* 1/2"-20 UNF	FORM F	630 bar	38	17	11	620.01.405.00	620.01.405.01
9/16"-18 UNF	FORM F	630 bar	38	19	12	620.01.406.00	620.01.406.01
3/4"-16 UNF	FORM F	630 bar	38	22	14	620.01.408.00	620.01.408.01
JIS 2531 G 1/4"	FORM F	630 bar	38	19	12	620.01.204.00	620.01.204.01
ISO228 G 1/4"	BS 5200	630 bar	38	19	12	620.01.204.80	620.01.204.81

\*Solo su richiesta \*Only on request